

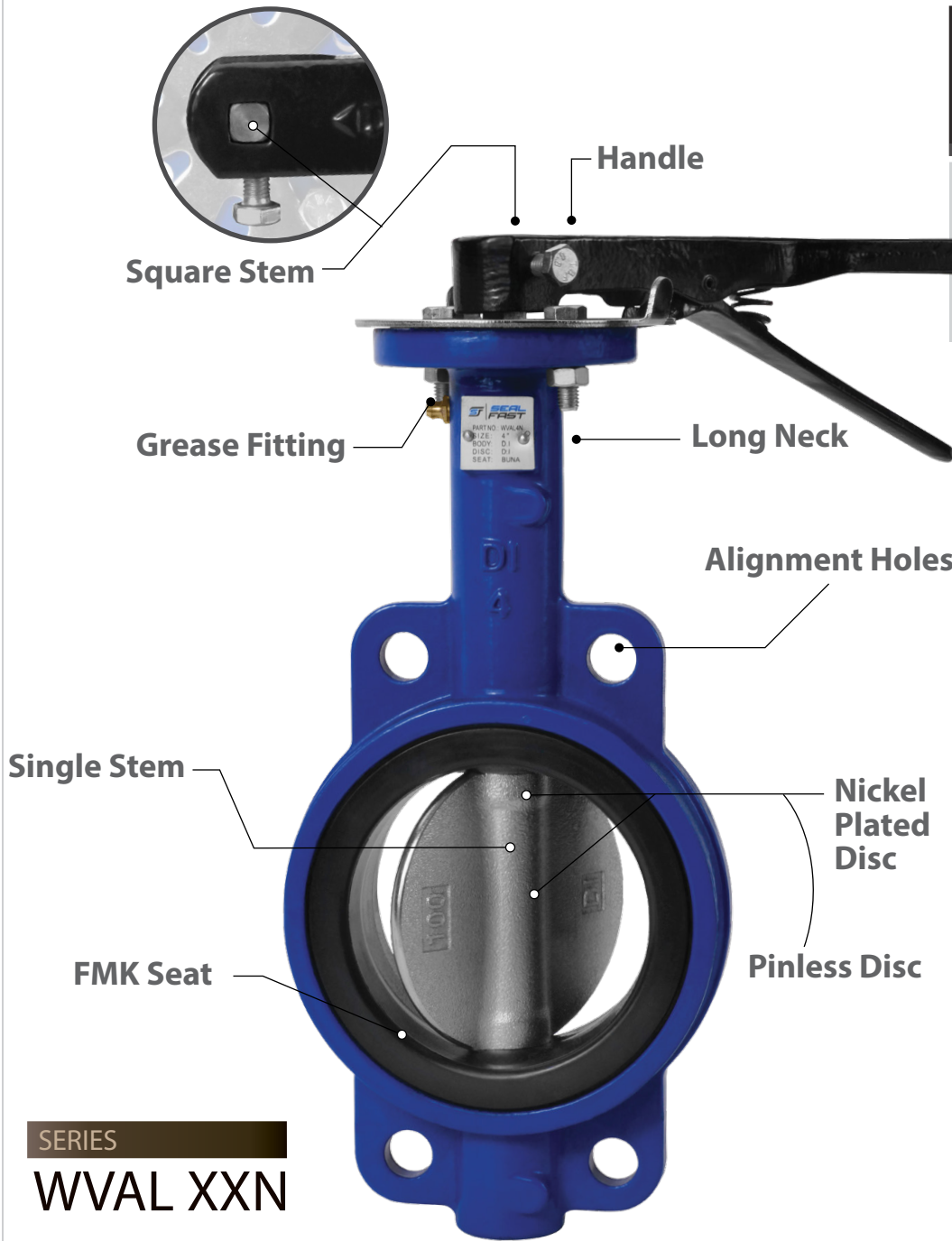


**VALVES**

TRUEWAFER BUTTERFLY-  
DUCTILE IRON - 200 WOG/CWP

FEATURES & APPLICATIONS:

- 200 WOG/CWP



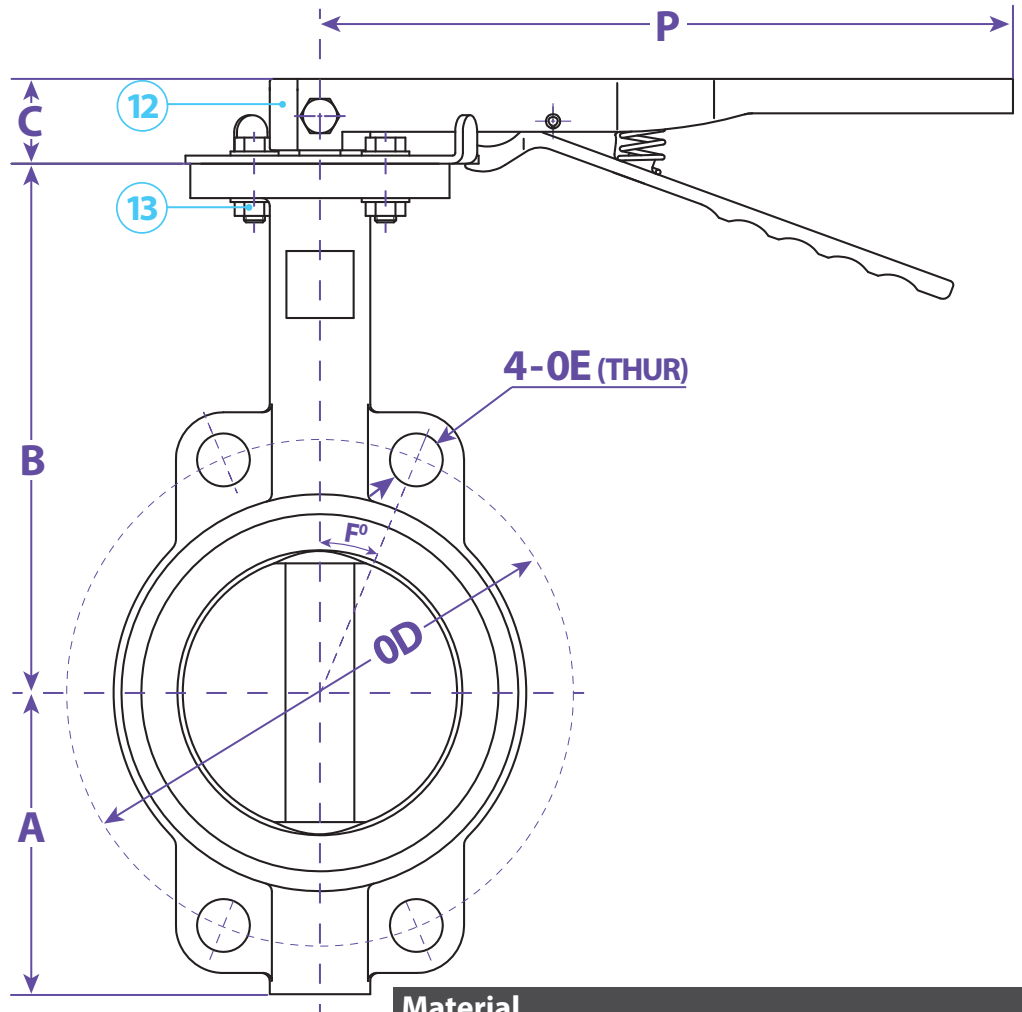
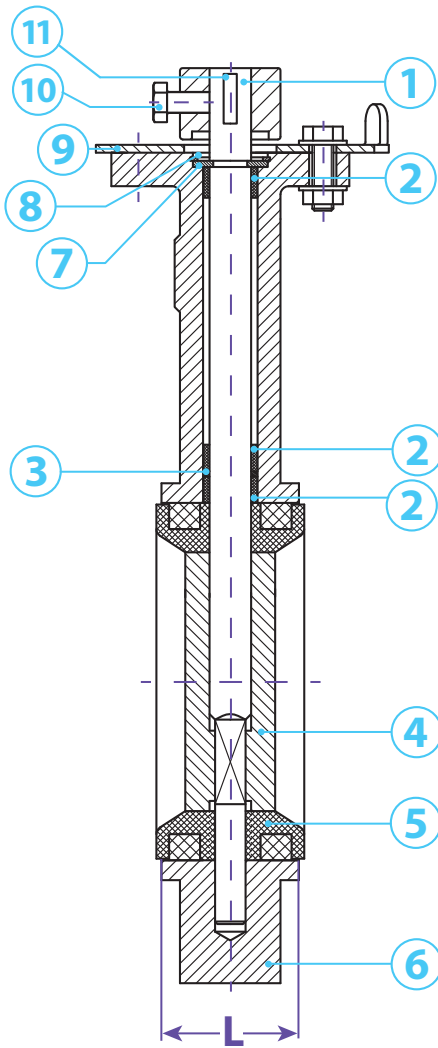
**TECHNICAL DATA:**

- **WOG** = Rating indicates the maximum non-shock pressure at ambient temperatures at which the valve may be used.
- **CWP** = Cold working pressure

**WOG:** Water, Oil & Gas: This was an older, generic pressure rating call-out which has been largely replaced by CWP. In this designation, "GAS" refers to any non-flammable, compressible fluid in a gaseous state. It does not imply a product's suitability or third-party approval for use with flammable gases. Similarly, in this designation, "Oil" does not imply a product's third-party approval for use with any petroleum products.

SERIES  
**WVAL XXN**

DUCTILE IRON	
Size	Part #
2"	WVAL 2N
3"	WVAL 3N
4"	WVAL 4N
6"	WVAL 6N
8"	WVAL 8N
10"	WVAL 10N
12"	WVAL 12N



Dimensions							
Size	A	B	C	F	L	P	Part #
2"	2.99	6.38	1.10	1.77	1.65	10.24	WVAL 2N
3"	3.50	6.85	1.10	1.77	1.65	10.24	WVAL 3N
4"	4.89	7.87	1.10	.89	1.65	10.24	WVAL 4N
6"	5.47	8.85	1.10	.89	1.65	10.24	WVAL 6N
8"	6.96	10.24	1.50	.59	1.65	14.17	WVAL 8N
10"	7.99	11.50	1.50	.59	1.65	14.17	WVAL 10N
12"	9.53	13.27	1.50	.59	1.65	14.17	WVAL 12N

Material		
No.	Description	Material
1	Stem	SS410
2	Bushing	PTFE
3	O-Ring	BUNA
4	Disc	Nickle Plated Disc
5	Seat	FMK
6	Body	Ductile Iron & Epoxy Coating (blue)
7	Thrust Washer	Carbon Steel
8	Circlip	Carbon Steel
9	Locking Plate	Carbon Steel
10	Locking Screw	Carbon Steel
11	Key	Carbon Steel
12	Lever	Malleable Cast Iron
13	Boly & Nut	Carbon Steel

SERIES  
**WVAL XXN**

TITLE <b>TRUEWAFER BUTTERFLY VALVE</b>	
<p><b>DISCLAIMER</b> All drawings and specifications are subject to change without notice. Drawings represent general dimensions of our products. Seal Fast Inc. cannot guarantee the dimensions will exactly match those in the drawing. The drawing is the property of Seal Fast Inc. Copying or reproduction of this drawing is expressly prohibited.</p>	<p>MATERIAL <b>DUCTILE IRON</b></p>
<p><b>DRAWING NOT TO SCALE</b></p>	<p>PART # <b>WVAL..N</b></p>